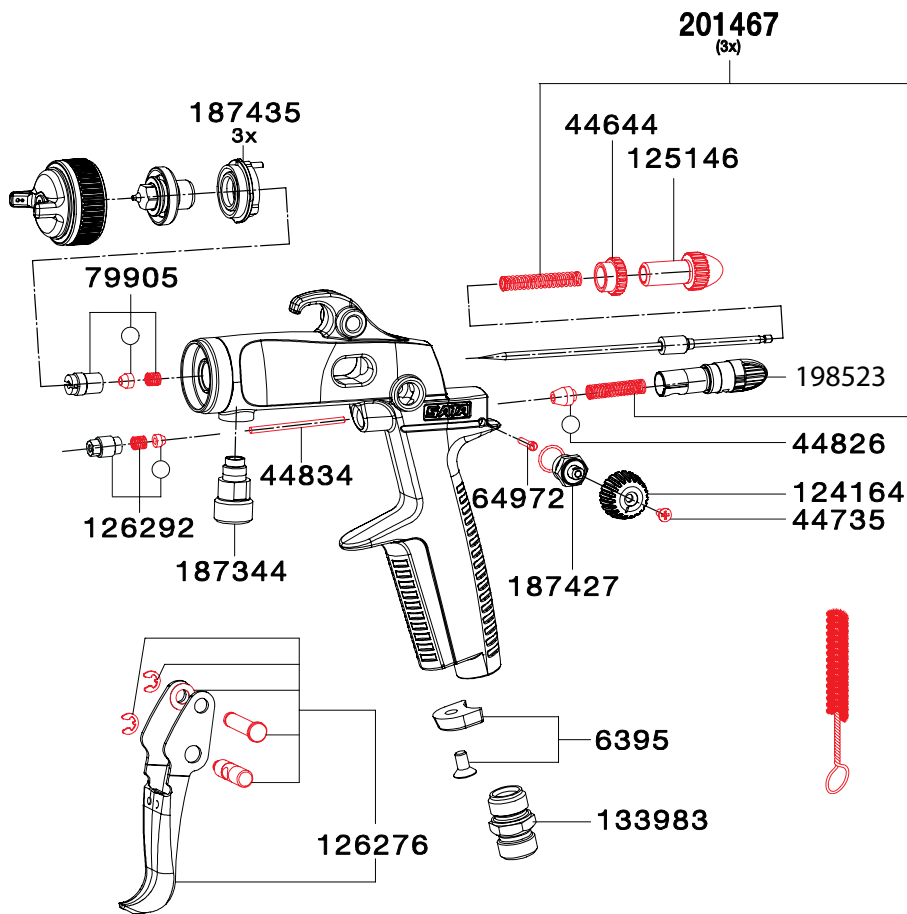


Spare Parts SATAminijet® 1000 K

Art. No./Descr.
6395
CCS Clips, green, blue, red, black packing unit 4 pieces)
44644
Counter nut
44735
Countersunk screw M 2.5 x 5, VA
44826
Air piston head
44834
Air piston rod
64972
Adjustment screw for air micrometer
79905
Paint needle packing
124164
Control knob
125146
Material flow control screw
126276
Trigger kit
126292
Packing kit air piston rod SATAminijet 3000 B HVLP; minijet 4 HVLP
133983
Air connection piece 1/4" male thread
187344
Material connection, stainless steel
187427
Spindle for round/flat control
187435
Air distribution ring (packing unit 3 pieces)
198523
Air micrometer, complete
201467
Pressure spring (each 3 pieces) for paint needle and air piston



All prices are recommended list prices. Errors, technical modifications and printing errors reserved.

Art. No./Descr.
125856
Tool kit
· Extraction tool
· Cleaning brush
· Wrench
· Universal spanner

Art. No./Descr.
126284
Repair kit
○ 50658
Sealing kit