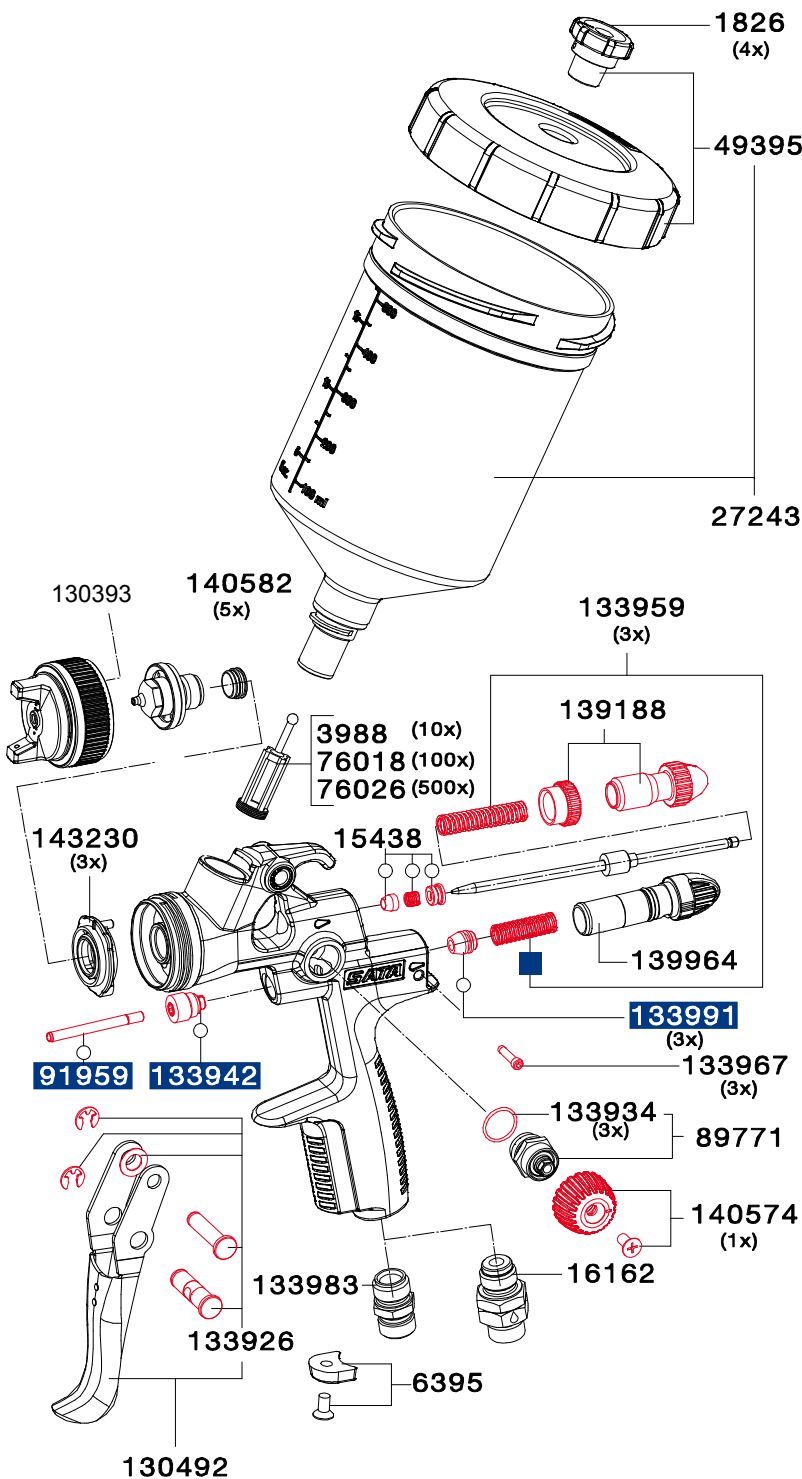


Spare Parts SATAjet® 1000 B

Art. No./Descr.
1826
Anti-drip device (packing unit 4 pieces)
3988
Paint strainer, 300 µm (packing unit 10 pieces)
6395
CCS Clips, green, blue, red, black packing unit 4 pieces)
15438
Paint needle packing
16162
Swivel joint
27243
0.6 l QCC reusable plastic cup, cpl.
49395
Screw-on lid for 0.6 l PVC cup with drip-catching ring and non-drip device
76018
Paint strainer, 300 µm (packing unit 100 pieces)
76026
Paint strainer, 300 µm (packing unit 500 pieces)
89771
Spindle, cpl., f. round / flat spray control SATAjet 2000 HVLP
91959
Air piston rod
130393
Sealing ring for air cap ring SATAjet 100 and 1000
130492
Trigger kit
133926
Trigger sleeve kit
133934
Sealing (packing unit 3 pieces) for spindle
133942
Seal retainer, cpl.
133959
Pressure spring (3 pieces) for paint needle and air piston
133967
Adjustment screw (packing unit 3 pieces) for air micrometer
133983
Air connection piece 1/4" male thread
133991
Air piston head (packing unit 3 pieces)
139188
Material flow control with counter nut
139964
Air micrometer
140574
Control knob with screw
140582
Sealing element (packing unit 5 pieces) for fluid tip
143230
Air distribution ring (packing unit 3 pieces)



All prices are recommended list prices. Errors, technical modifications and printing errors reserved.

Art. No./Descr.
9050
Tool kit
· Extraction tool
· Paint strainer
· Cleaning brush
· Allen wrench 2 mm width
· Allen wrench 4 mm width
· Universal spanner

Art. No./Descr.
130542
Repair kit
92759
Air piston service unit
○ 183780
Sealing kit

